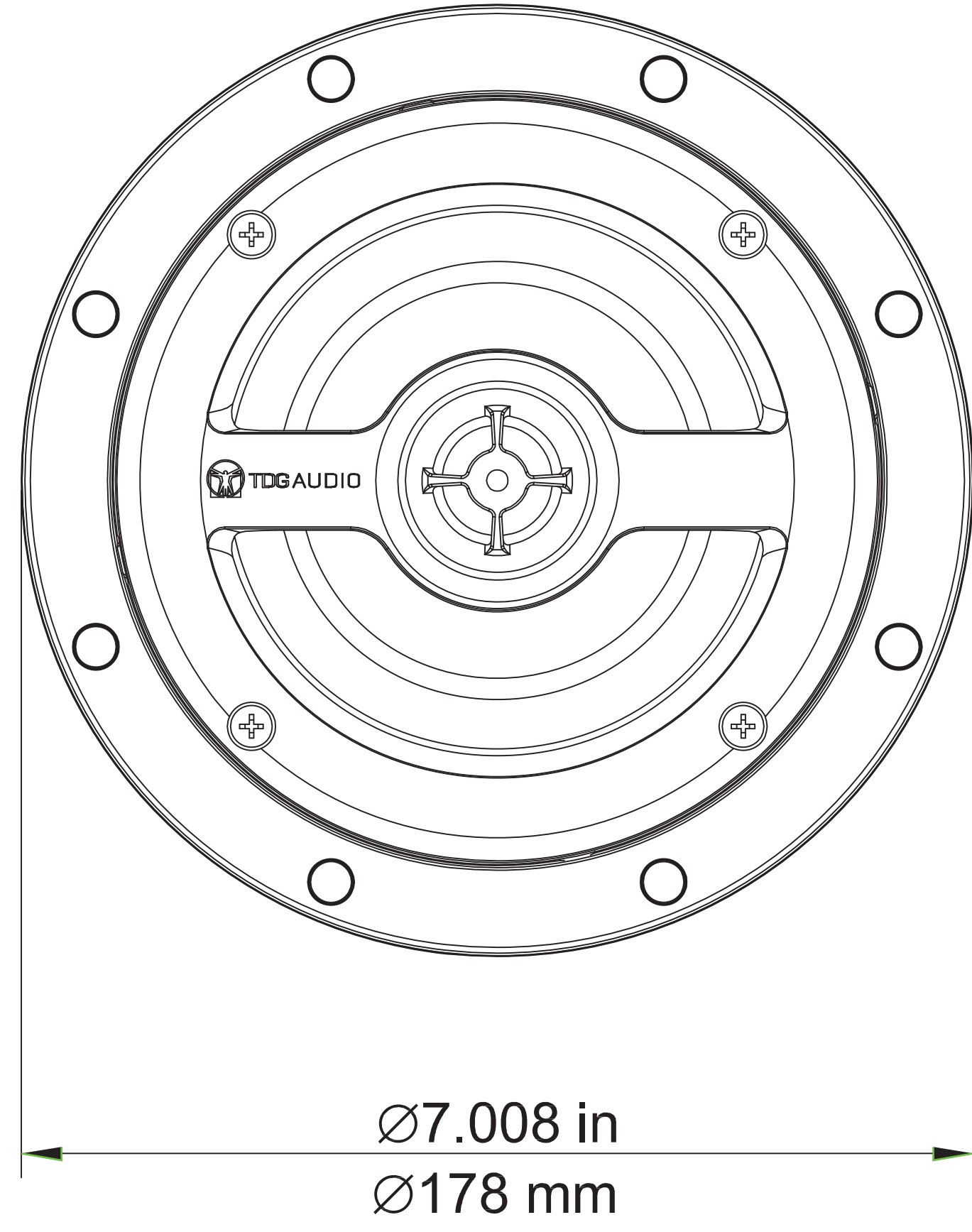
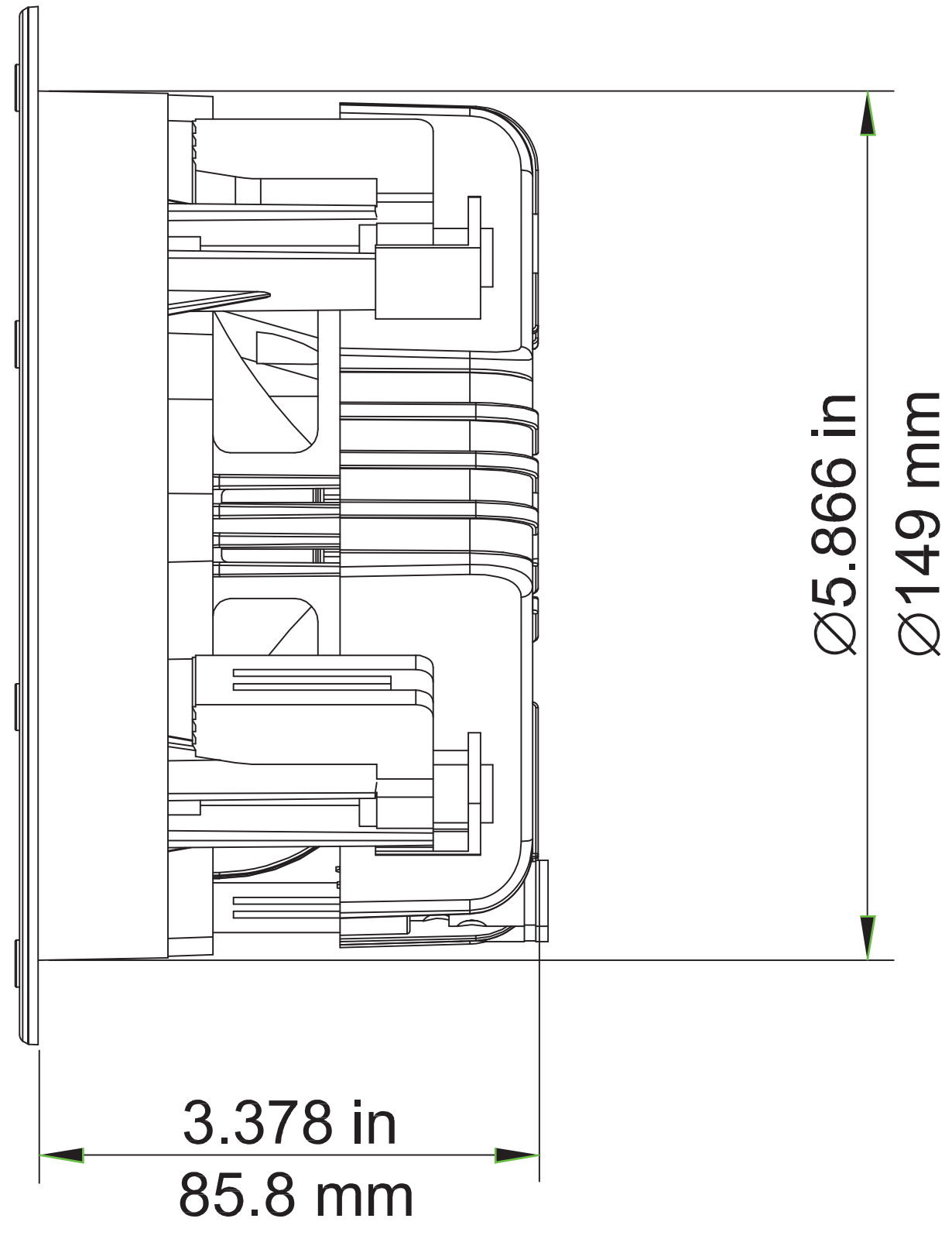


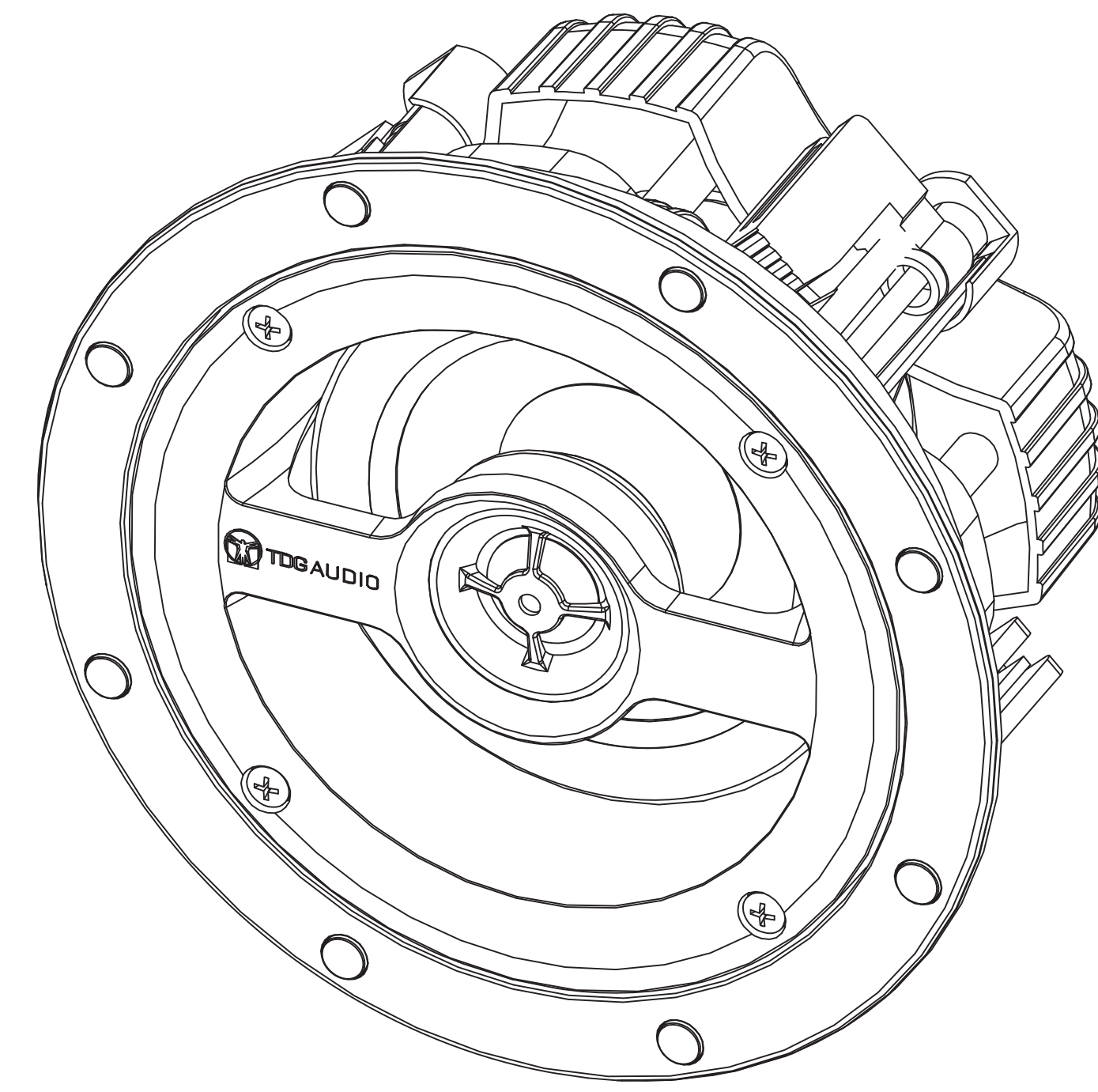
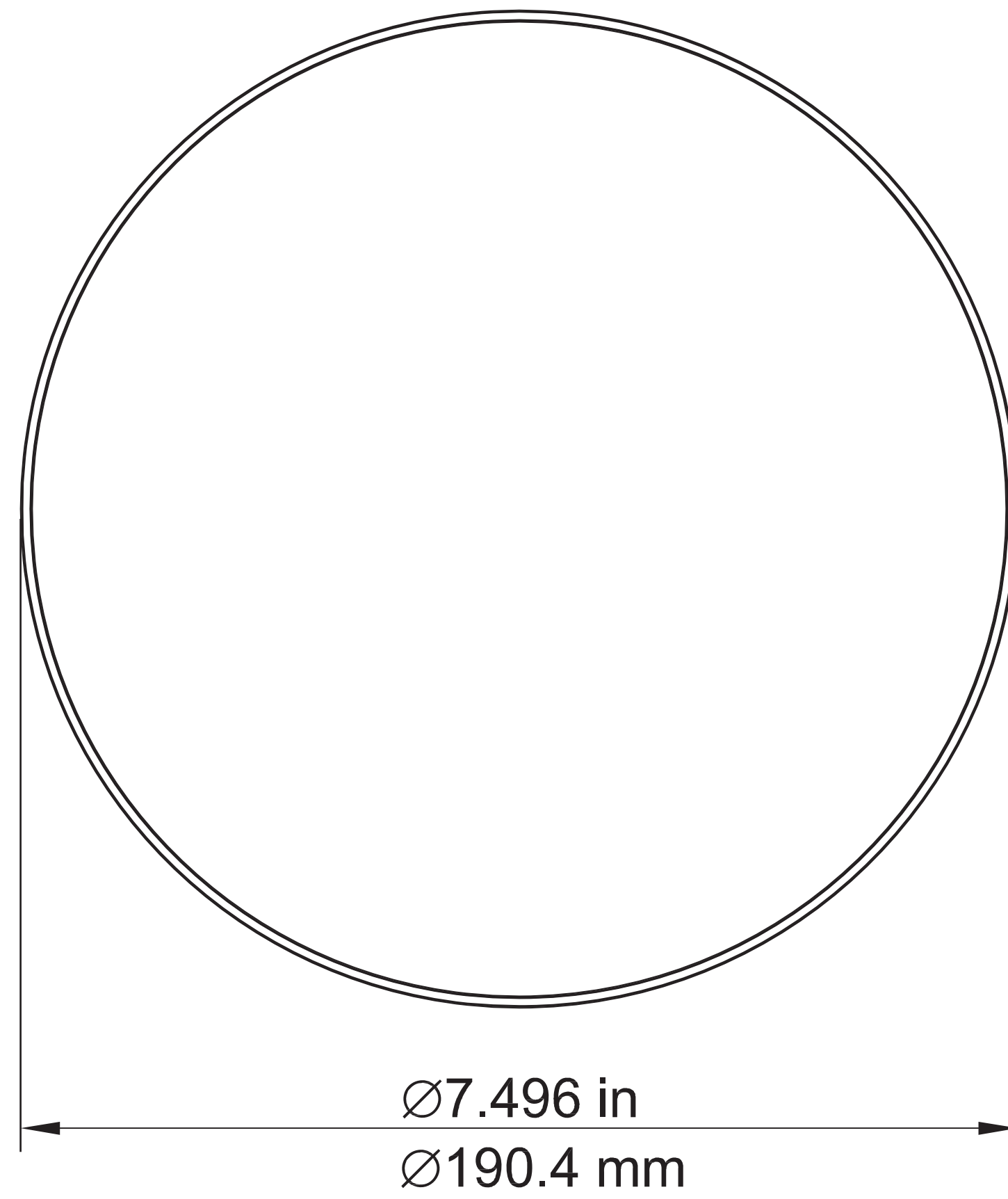
FRONT



MOUNTING
DEPTH/MINIMUM
CUTOUT



GRILLE



NFC-4 SERIES

SCALE: 1:1

DRAWN BY:

DRWN - PART NUMBER

REV.

SHEET: OF

RELEASED ON:

1 (866) TDG 6321 | TDGAUDIO.COM